

Operating and maintenance instructions poultry pliers ZGB 1

When operating and maintaining the pliers, there are many risks of injury and property damage.

That's why:

- Please read these operating instructions carefully before operation and maintenance.
- Always observe the notes and information contained therein, especially the safety notes.
- If you lose the operating instructions, you can get a new copy online:

www.cors.technology

In the event of unauthorized modifications, the manufacturer is not liable for any liability or warranty.

Warranty and liability claims are also excluded if they can be traced back to one or more of the following causes:

- Improper use of the product
- improper assembly, operation and maintenance of the product
- Failure to observe the information in the operating instructions
- Inadequate maintenance or repair
- Force majeure

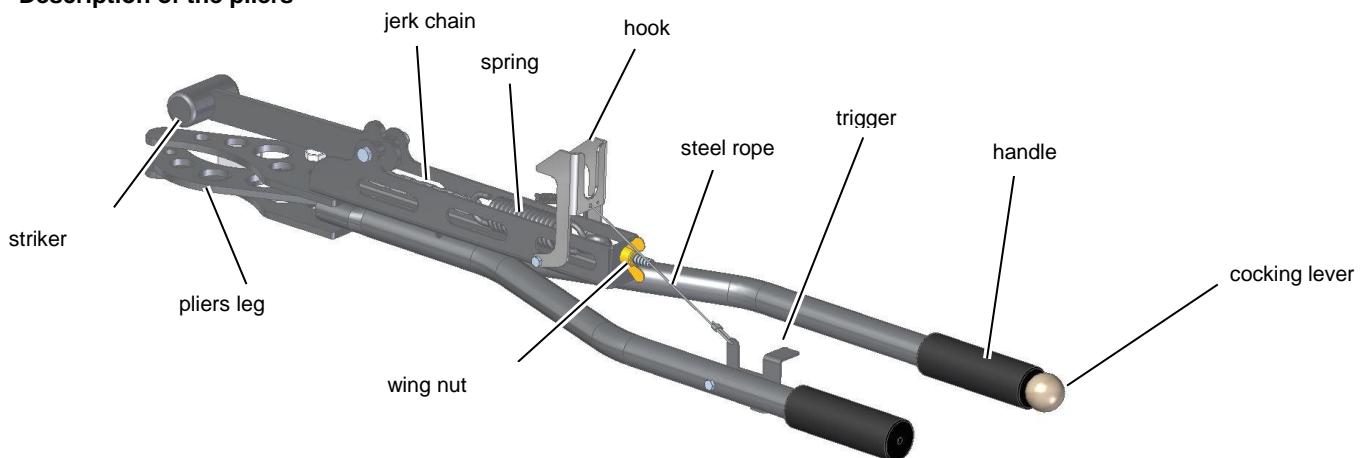
Requirements for the staff

- The product may only be operated by competent persons who are authorized to do so in accordance with the law.
- The pliers may only be used for the intended purpose. This corresponds to the emergency killing of poultry between 5 and 25 kg live weight.
- The device should only be used when necessary.
- **Never trigger the striker to test it without an object (cardboard rolled up in the pliers).**
→ Bending of striker and pliers legs!
- There is a risk of injury if misused.

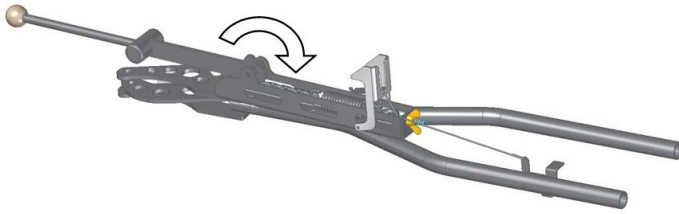
Safety instructions

- Do not hold any parts of the body between moving parts to avoid bruises and cuts.
- Make sure that no other person is within a radius of 1.5m and 10m in the direction of impact.
- Make sure that the device is held forwards away from your body when it is cocked.
- Never set down, put away or store the pliers with the striker cocked.
- Keep out of the reach of children.

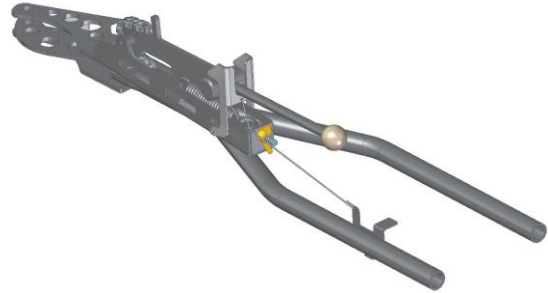
Description of the pliers



Service



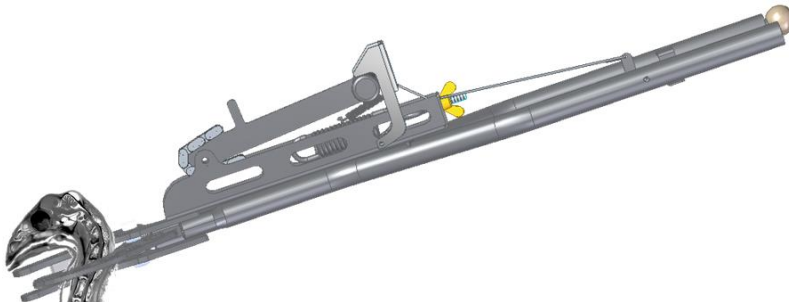
Step 1: Remove the cocking lever from the right handle and insert it into the blind hole in the striker at the front end



Step 2: Hold the pliers across your body with one hand and support the handle ends of the pliers on your thigh so that you can turn the cocking lever 180 ° with the other hand. The striker is held by the hook → The spring is now tensioned!

Step 3: Place the cocking lever back in the designated place in the right handle.

Caution: When the striker with cocking lever is triggered, it can fly away uncontrolled and injure bystanders and animals. Therefore always act with caution.



Step 4: Grab the device with both hands at the back of the two handles. Important: As shown in the picture, place the pliers directly below the head.

The pliers must be applied from behind. If the tool are applied from the side or too deeply, the animal is pressed off the air, but no neck breakage is caused later!

Close the legs of the pliers so that the animal is fixed. Immediately afterwards, the trigger must be pressed in order to achieve the striker. Then press the pliers shut with force to cut the neck. Control the animal properly to prevent suffering!

Care and Maintenance

Clean the device after each use.

For the preservation of the device, however, the "WD40" multifunctional spray is recommended. In this way, components such as the steel rope can be protected from corrosion. All components are made of stainless steel, but only partially corrosion-resistant.

If the pliers may too loose, loosen the outer nut on the joint. The clearance can be adjusted by the inner nut. Finally, tighten the outer nut.

Note: By tightening the outer nut, the clearance is reduced again and the mechanics may become jammed. Accordingly, leave a gap when tightening the inner nut.

Regularly check the screw connection for correct placing. The spring of the striker should only be tensioned slightly, so it is not sag.

Copyright protection

These operating instructions are protected by copyright.

Reprinting and duplication of any kind, including extracts, require the manufacturer's written approval.

The manufacturer reserves the right to make misprints and the right to make changes to devices, packaging and all accompanying documents such as operating instructions without prior notice.

EC declaration of conformity

This is to confirm that the device described above ZGB 1 complies with the safety and health requirements in accordance with the EC Machinery Directive 2006/42 / EC. Applied harmonized standards: DIN EN ISO 12100. Address (see header)



Heinke Vosteen

Dipl. Ing. Heinke Vosteen
CEO